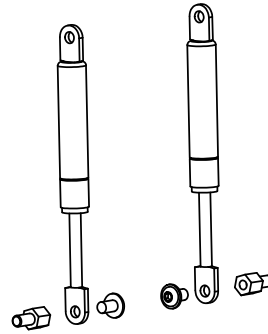
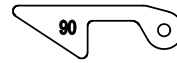


Alternative securing components:



Gas dampers
2 pcs / shelf



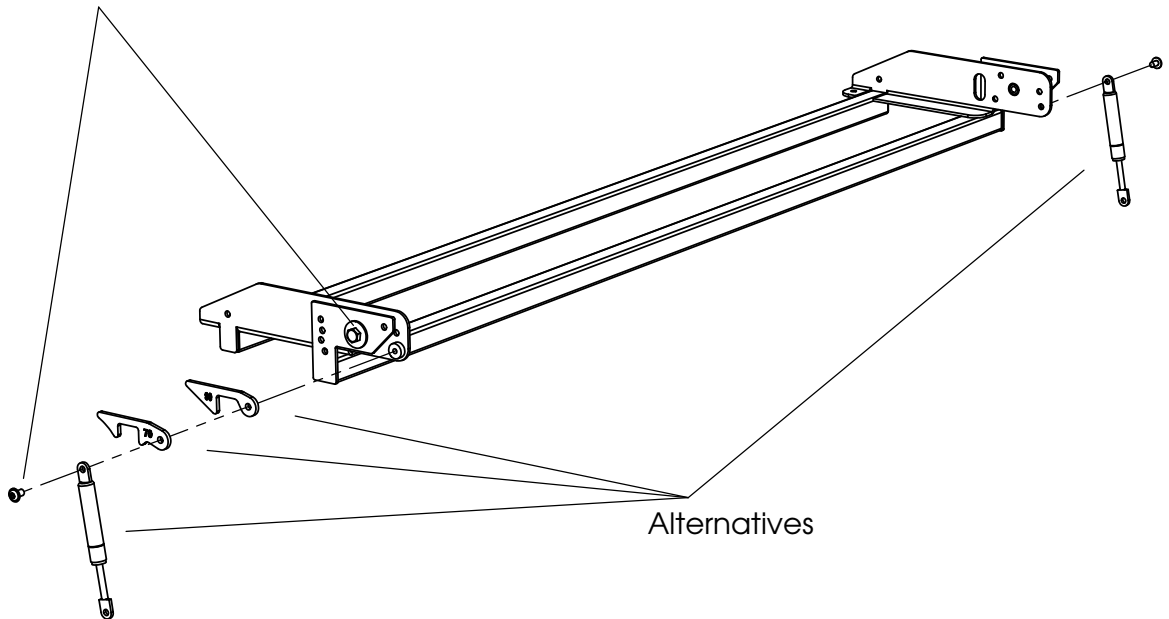
90° locking hook
1 pc / shelf



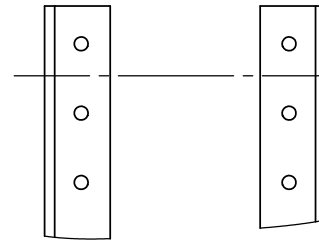
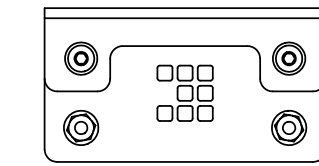
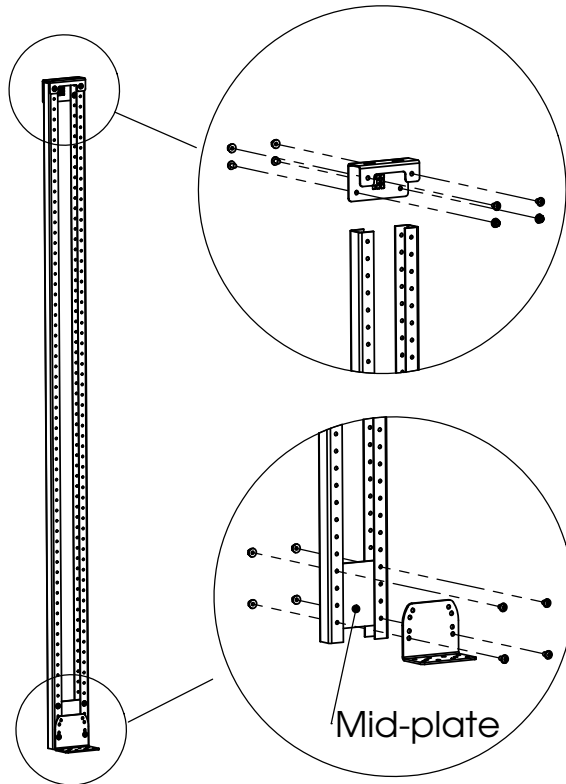
70° locking hook
1 pc / shelf

1. Assembly of shelf bracket

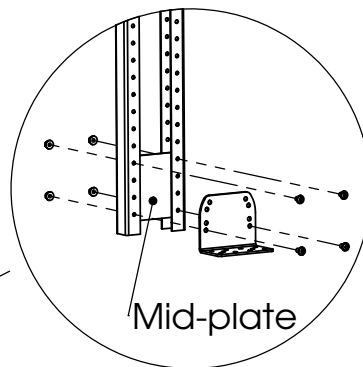
Secure pivot screw's threads with
Locktite medium (blue) and check
free rotation.



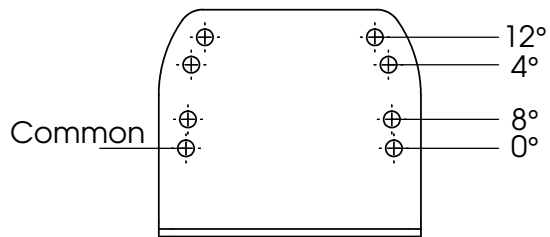
2. Assembly of shelf frame



Height adjustment:
When required,
cut in the middle
between the
holes.

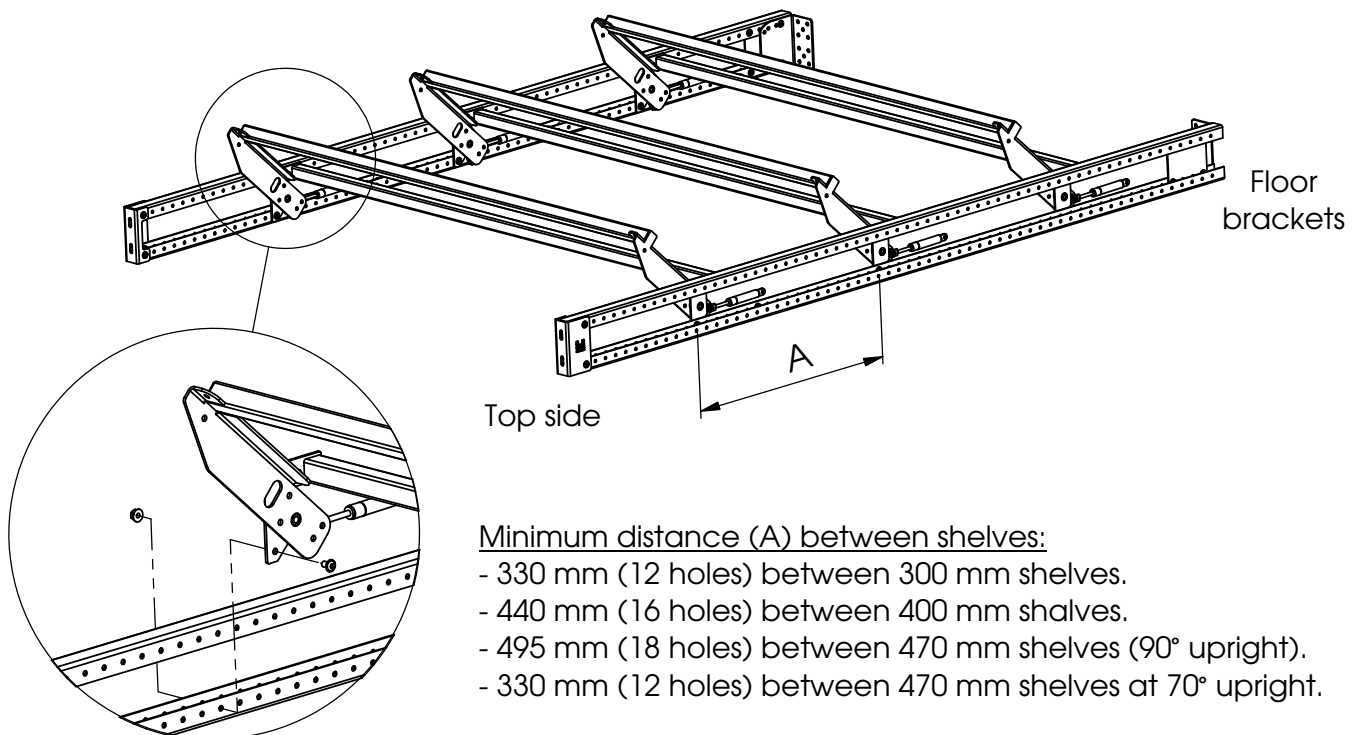


Mid-plate



Floor installation angle:

3. Inner attachment of shelf bracket



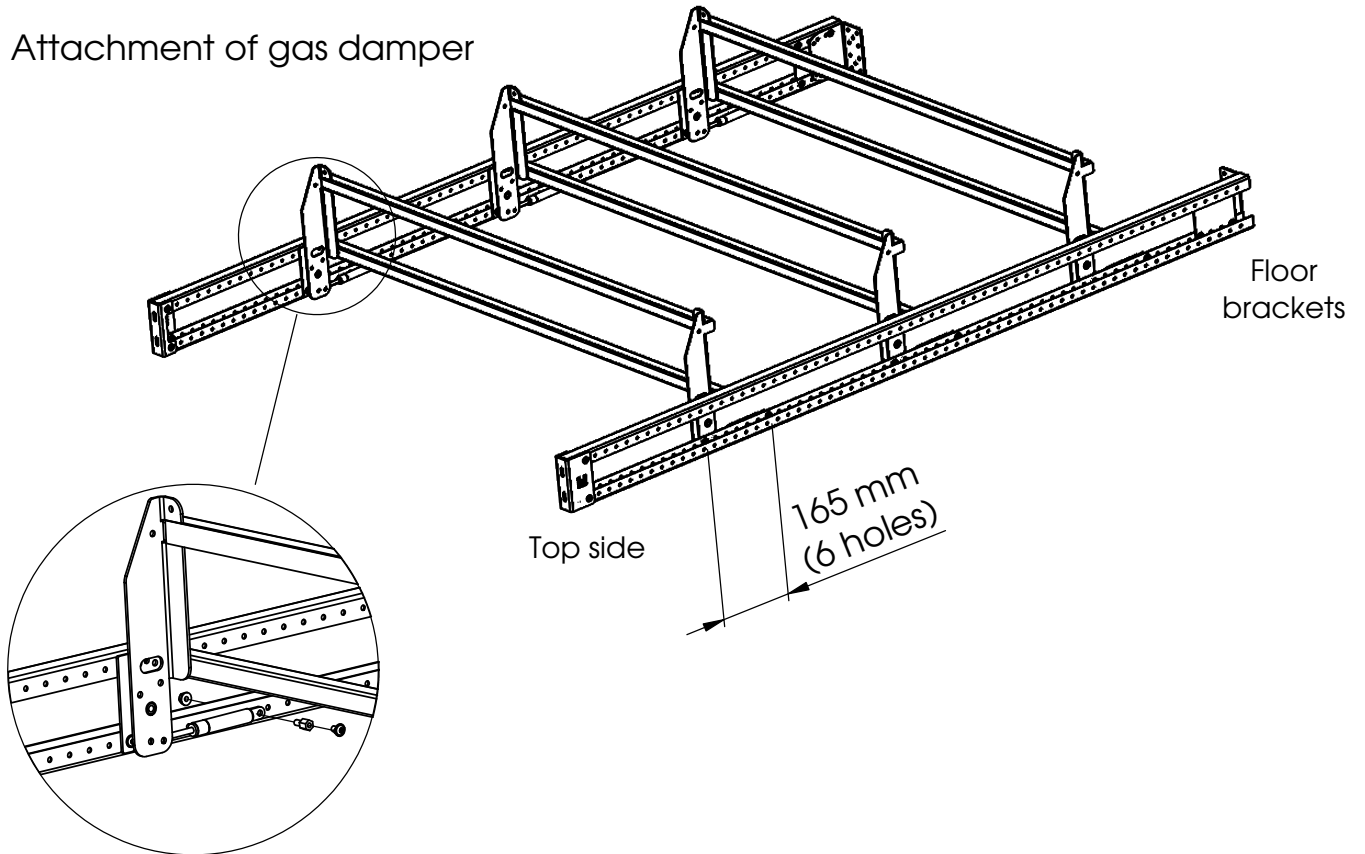
Top side

Floor
brackets

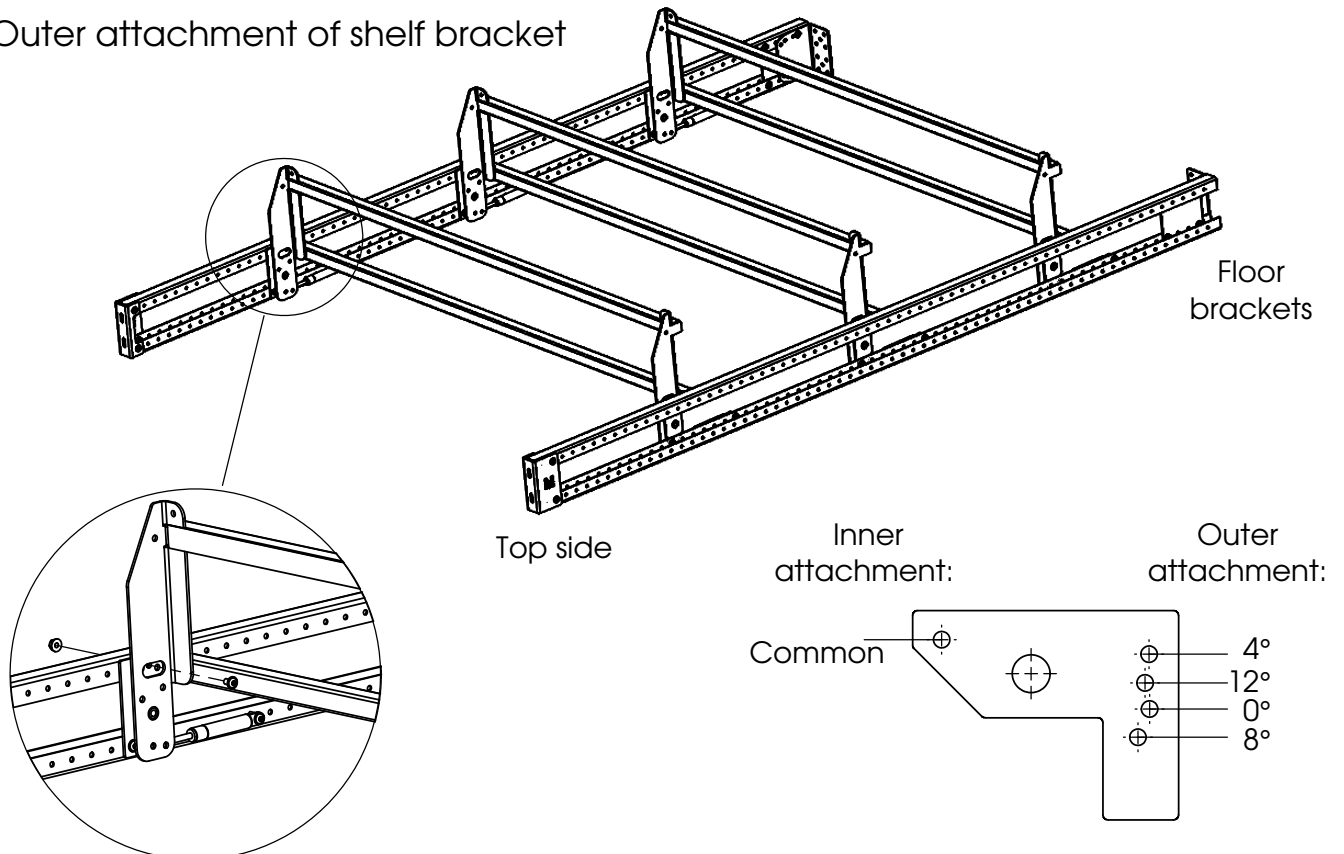
Minimum distance (A) between shelves:

- 330 mm (12 holes) between 300 mm shelves.
- 440 mm (16 holes) between 400 mm shelves.
- 495 mm (18 holes) between 470 mm shelves (90° upright).
- 330 mm (12 holes) between 470 mm shelves at 70° upright.

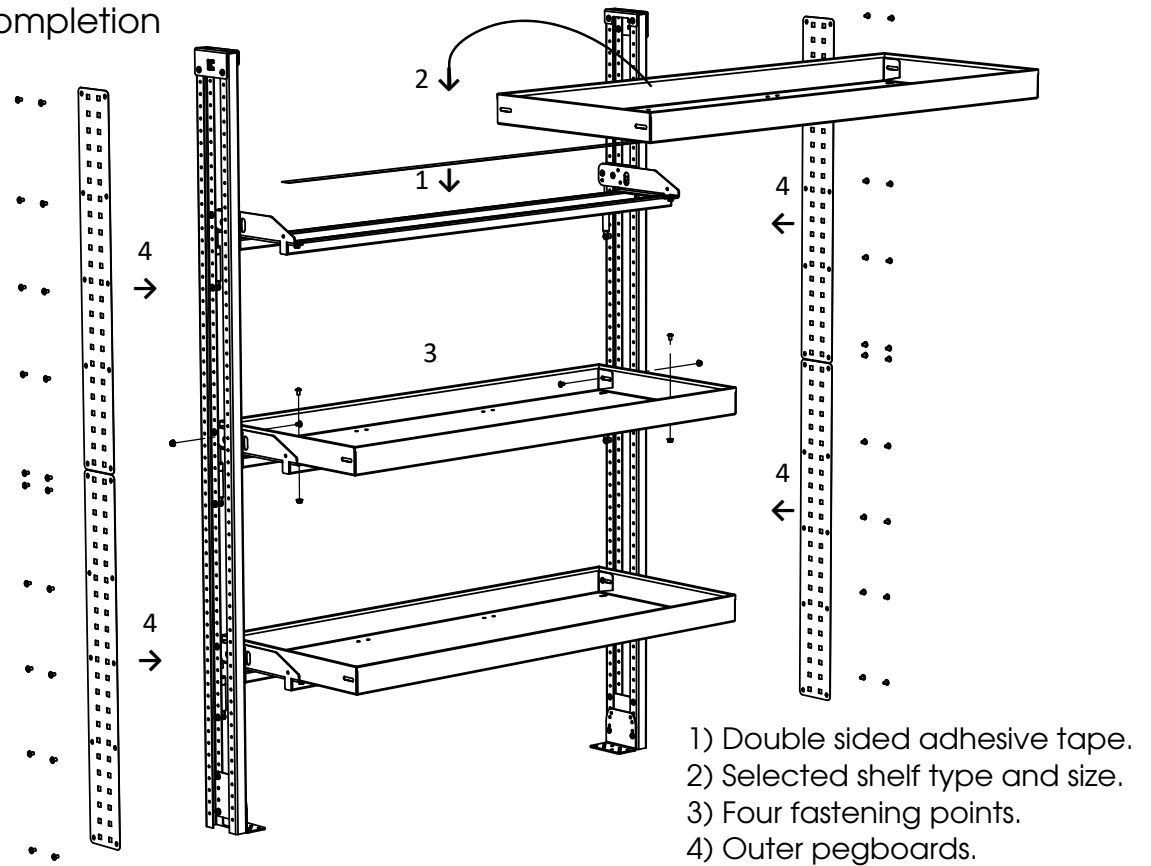
4. Attachment of gas damper



5. Outer attachment of shelf bracket



6. Assembly completion



7. Installation in van

